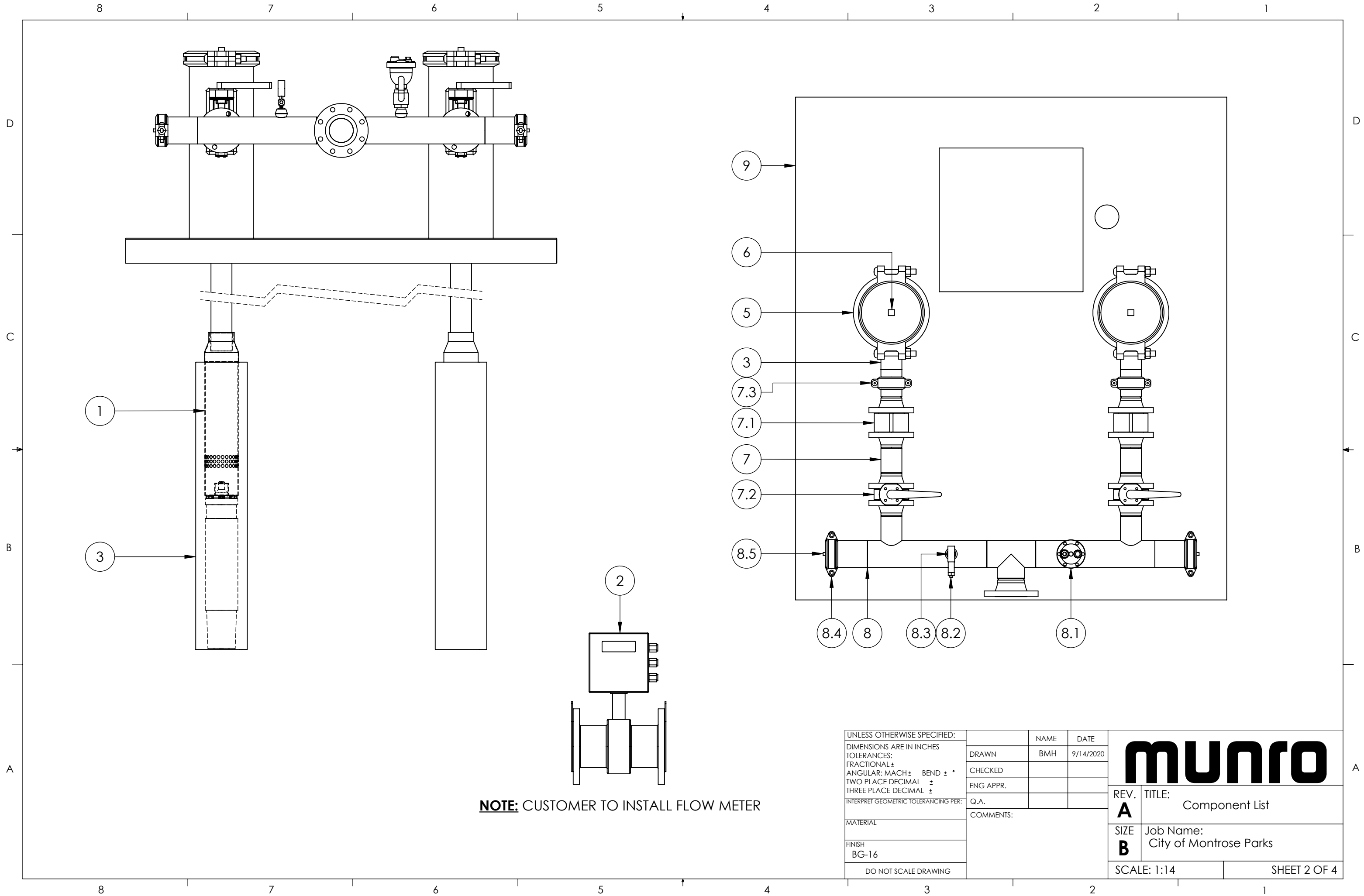


ITEM NO.	PART NUMBER	DESCRIPTION	QTY.
1	175SR6-4	Franklin 10HP Submersible Pump	2
2	M2000	4" Badger Magnetic Flow Meter	1
3	8J3	Maass Midwest Pitless Adapter	2
4		8" Flow Sleeve	2
5	M7705X10	10" Grooved Coupling	2
6	SH7160X10	10" Grooved End Cap	2
7		3" Pump Discharge Assembly	2
7.1	CV1403	3" Valmatic Wafer Check Valve	1
7.2	BF0160LSEL030	3" Full Lug Butterfly Valve	1
7.3	M7705X3	3" Grooved Coupling	1
8		4" Discharge Header	1
8.1	15A	1" Valmatic Air Release Valve	1
8.2	SYCSP400DC200PSI	Pressure Transducer	1
8.3	MUGAUGE200	Pressure Gauge	1
8.4	M7705X4	4" Grooved Coupling	2
8.5	M7160X4	4" Grooved End Cap	2
9		72" X 84" Powder Coated Pump Skid	1

Approved By: \_\_\_\_\_ Date: \_\_\_\_\_

UNLESS OTHERWISE SPECIFIED:		NAME	DATE	<b>munro</b>	
DIMENSIONS ARE IN INCHES		DRAWN	BMH		9/14/2020
TOLERANCES:		CHECKED			
FRACTIONAL ±		ENG APPR.			
ANGULAR: MACH ± BEND ± °		Q.A.		REV. <b>A</b> TITLE: Assembly	
TWO PLACE DECIMAL ±		COMMENTS:		SIZE <b>B</b> Job Name: City of Montrose Parks	
THREE PLACE DECIMAL ±				SCALE: 1:20 SHEET 1 OF 4	
INTERPRET GEOMETRIC TOLERANCING PER:					
MATERIAL					
FINISH					
BG-16					
DO NOT SCALE DRAWING					

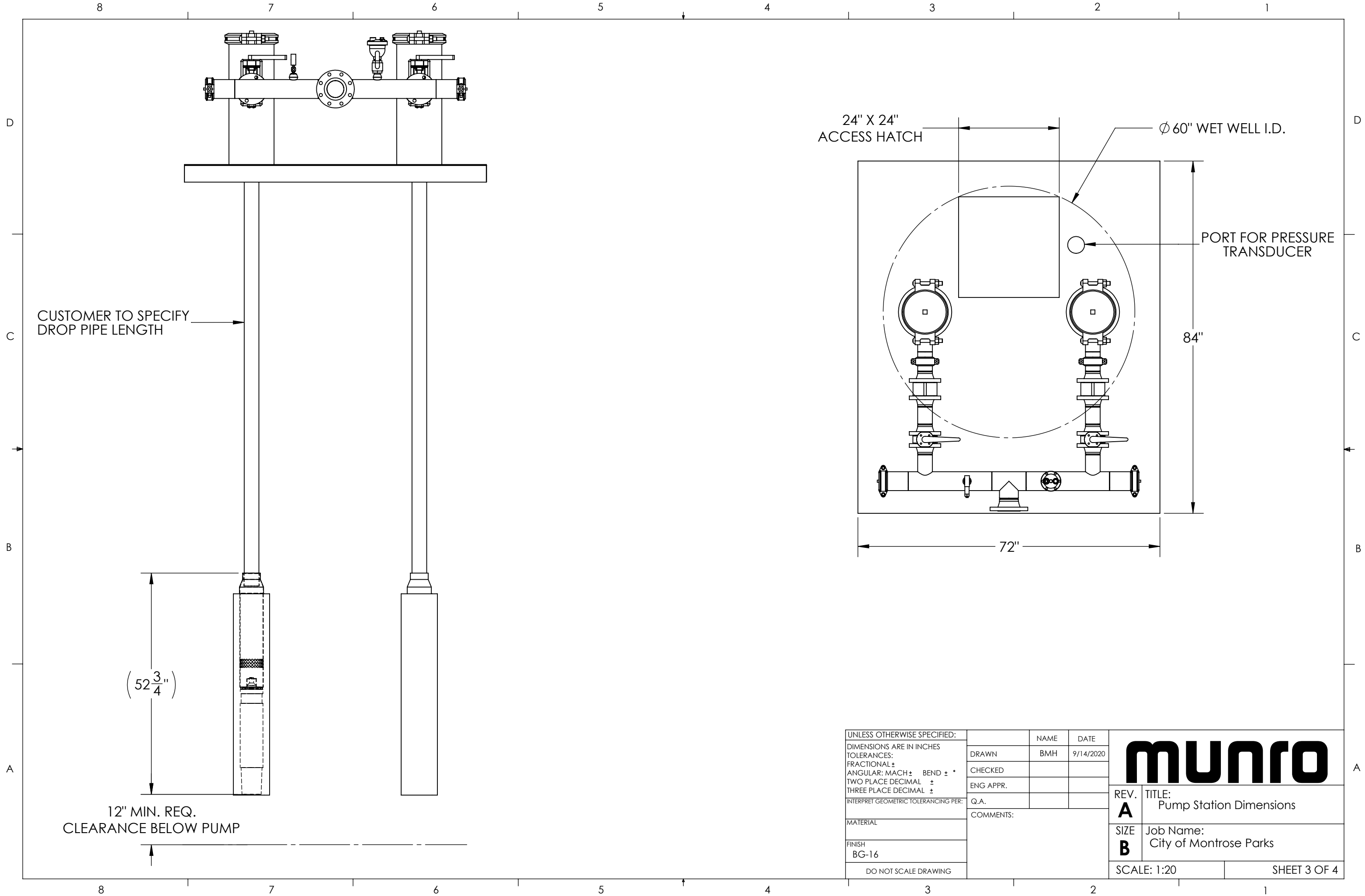


**NOTE:** CUSTOMER TO INSTALL FLOW METER

UNLESS OTHERWISE SPECIFIED:		NAME	DATE
DIMENSIONS ARE IN INCHES		DRAWN	BMH 9/14/2020
TOLERANCES:		CHECKED	
FRACTIONAL ±		ENG APPR.	
ANGULAR: MACH ± BEND ± °		Q.A.	
TWO PLACE DECIMAL ±		COMMENTS:	
THREE PLACE DECIMAL ±			
INTERPRET GEOMETRIC TOLERANCING PER:			
MATERIAL			
FINISH			
BG-16			
DO NOT SCALE DRAWING			

<b>munro</b>	
REV. <b>A</b>	TITLE: Component List
SIZE <b>B</b>	Job Name: City of Montrose Parks
SCALE: 1:14	SHEET 2 OF 4



CUSTOMER TO SPECIFY  
DROP PIPE LENGTH

$(52 \frac{3}{4}'' )$

12" MIN. REQ.  
CLEARANCE BELOW PUMP

24" X 24"  
ACCESS HATCH

$\phi 60''$  WET WELL I.D.

PORT FOR PRESSURE  
TRANSDUCER

84"

72"

UNLESS OTHERWISE SPECIFIED:

DIMENSIONS ARE IN INCHES  
TOLERANCES:  
FRACTIONAL  $\pm$   
ANGULAR: MACH  $\pm$  BEND  $\pm$  °  
TWO PLACE DECIMAL  $\pm$   
THREE PLACE DECIMAL  $\pm$

INTERPRET GEOMETRIC TOLERANCING PER:

MATERIAL

FINISH  
BG-16

DO NOT SCALE DRAWING

	NAME	DATE
DRAWN	BMH	9/14/2020
CHECKED		
ENG APPR.		
Q.A.		

COMMENTS:

**munro**

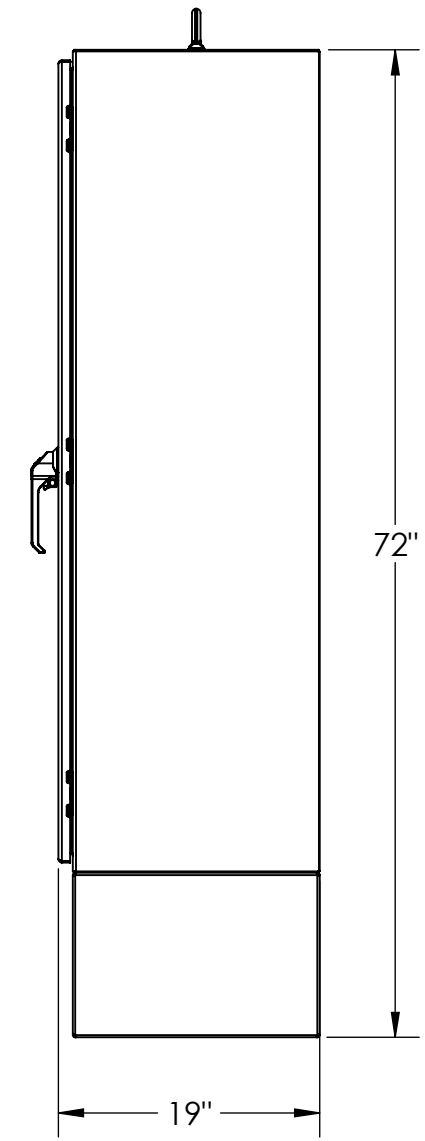
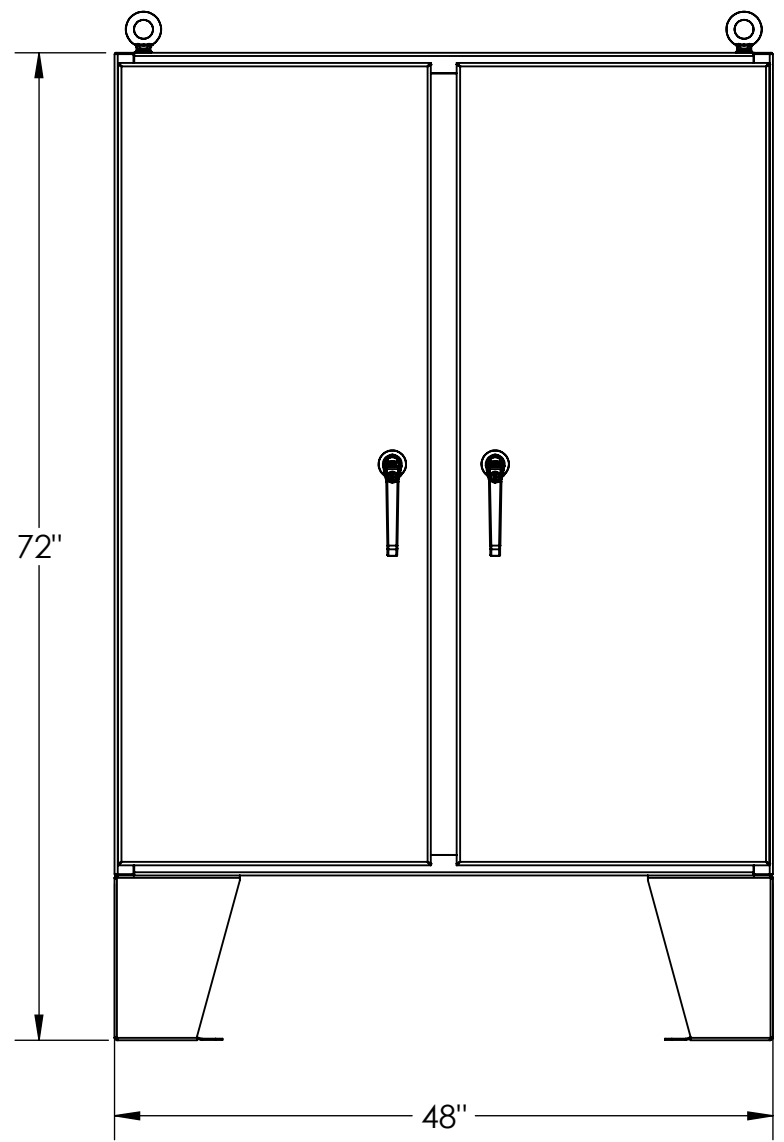
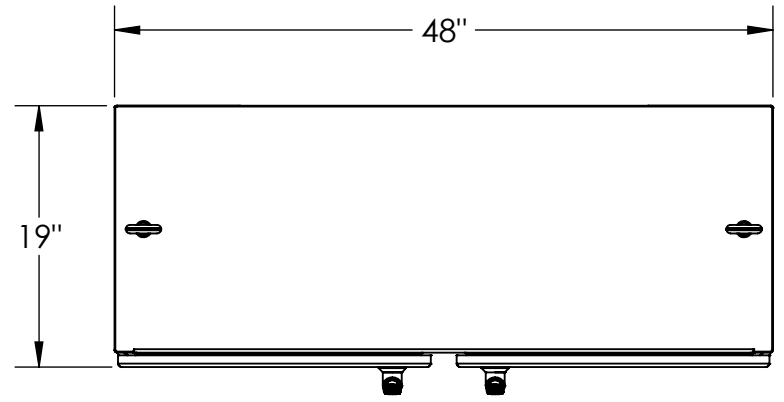
REV. **A** TITLE: Pump Station Dimensions


SIZE **B** Job Name: City of Montrose Parks

SCALE: 1:20

SHEET 3 OF 4

ITEM NO.	PART NUMBER	DESCRIPTION	QTY.
1	SCE-60EL4818LP	60" X 48" X 18" Control Panel Enclosure	1



UNLESS OTHERWISE SPECIFIED:		NAME	DATE	
DIMENSIONS ARE IN INCHES		DRAWN	BMH 9/14/2020	
TOLERANCES:		CHECKED		
FRACTIONAL ±		ENG APPR.		
ANGULAR: MACH ± BEND ± °		Q.A.		
TWO PLACE DECIMAL ±		COMMENTS:		
THREE PLACE DECIMAL ±				
INTERPRET GEOMETRIC TOLERANCING PER:				
MATERIAL				
FINISH				
BG-16				
DO NOT SCALE DRAWING				
REV. <b>A</b>	TITLE: Control Panel			
SIZE <b>B</b>	Job Name: City of Montrose Parks			
SCALE: 1:14		SHEET 4 OF 4		